

Features

- Thick-Film (TF) resistors
- High power density
- Avalanche protection diodes
- Excellent stability
- High operating temperature
- Anti-Tracking varnish coating
- Use in oil only

Applications

Electrostatic precipitators

Advantages

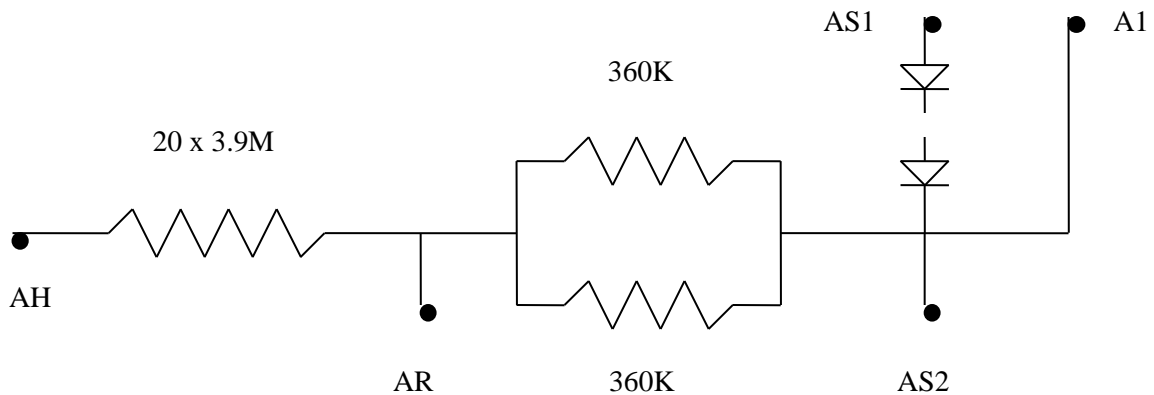
Improved isolation
Improved cooling
Easy mounting

Specifications

Rating – 78MΩ

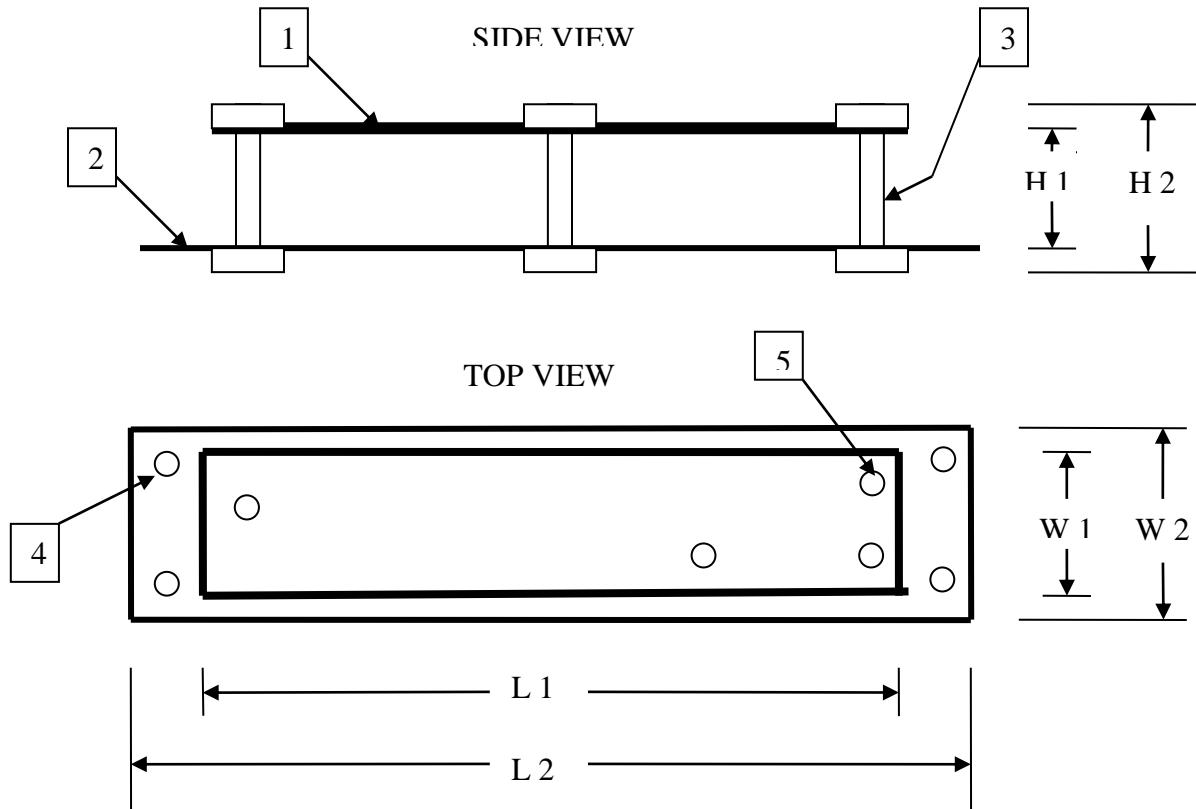
Internal Components	Specifications	Quantity
Protection Diode	VRRM=1300V, IF=3A IR=5uA, VF@IF=1.1V@3A	12 no.
TF Resistor, A	360KΩ	2 no.
TF Resistor, B	3.9MΩ	20 no.

Circuit configuration





Package outline



Dimension	L 1 mm	L 2 mm	W 1 mm	W 2 mm	H 1 mm	H 2 mm
	400	470	90	99	35	49

5	Bolts & Nuts for Connection	5	Ni plated
4	Holes for Fixing	4	Ø 12 mm
3	Pillars & Nuts	6	
2	PCB-Protection	1	
1	PCB-Component	1	
Item no.	Description	Quantity	Remark